

Slate

# Kitchen Mixer

Article no.: 650977400

Finish: Chrome/Black

Series: Slate

VVS no.:

EAN no.:

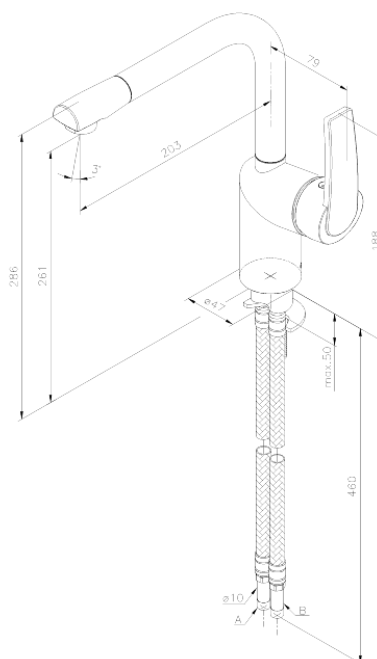
5708516736400



## Standard features:

- Ceramic cartridge
- Scalding protection (38°C)
- With adjustable aerator
- Swivel spout
- 120° swivel limitation
- Rub-clean aerator
- Cold-start
- Eco-Save water saving feature
- 1 handle

## Product features



FM Mattsson Mora Group Denmark  
Abildager 26 A, 2605 Brøndby, Denmark  
Østbirkvej 2, 5240 Odense NØ, Denmark

+45 63 10 22 10 danmark@fmm-mora.com

For more information please visit [www.damixa.com](http://www.damixa.com)

**damixa**